

PB21010006 – FIAT DUCATO with A/C

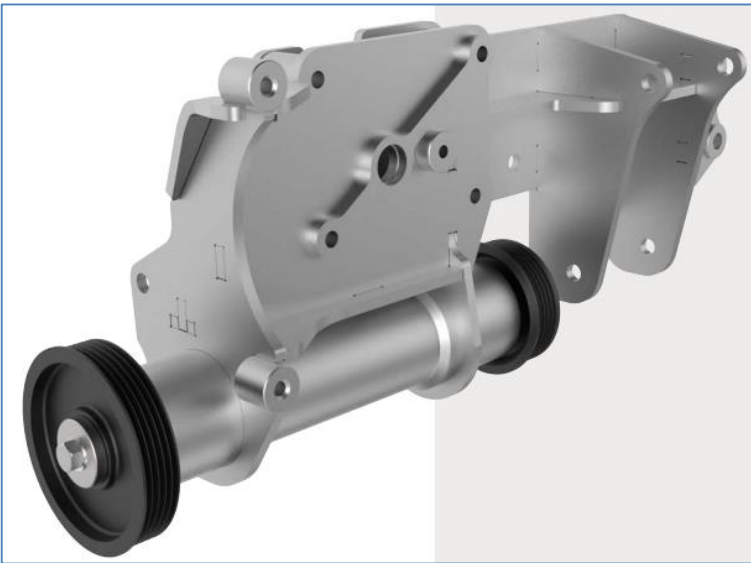
New kit KC20080505 vs. KC07050114

Kit KC07050114 will be replaced by KC20080505, **ONLY** for Euro 6 and EURO 6D Temp.

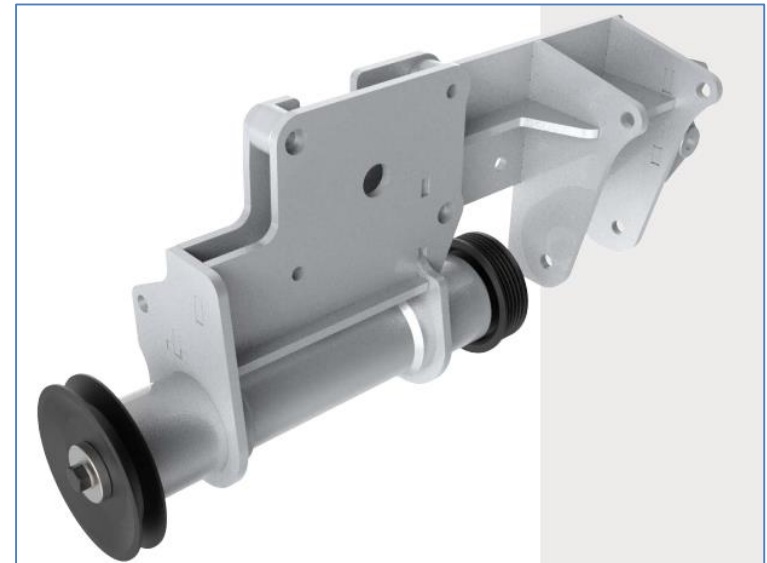
Reasons for change:

- Maintain original belt of A/C compressor
- Use a poly-V crankshaft pulley instead of a trapezoid pulley
- Ease of installation

KC20080505



KC07050114



**Both kits are suitable for vehicles EURO 6 or EURO 6D Temp*